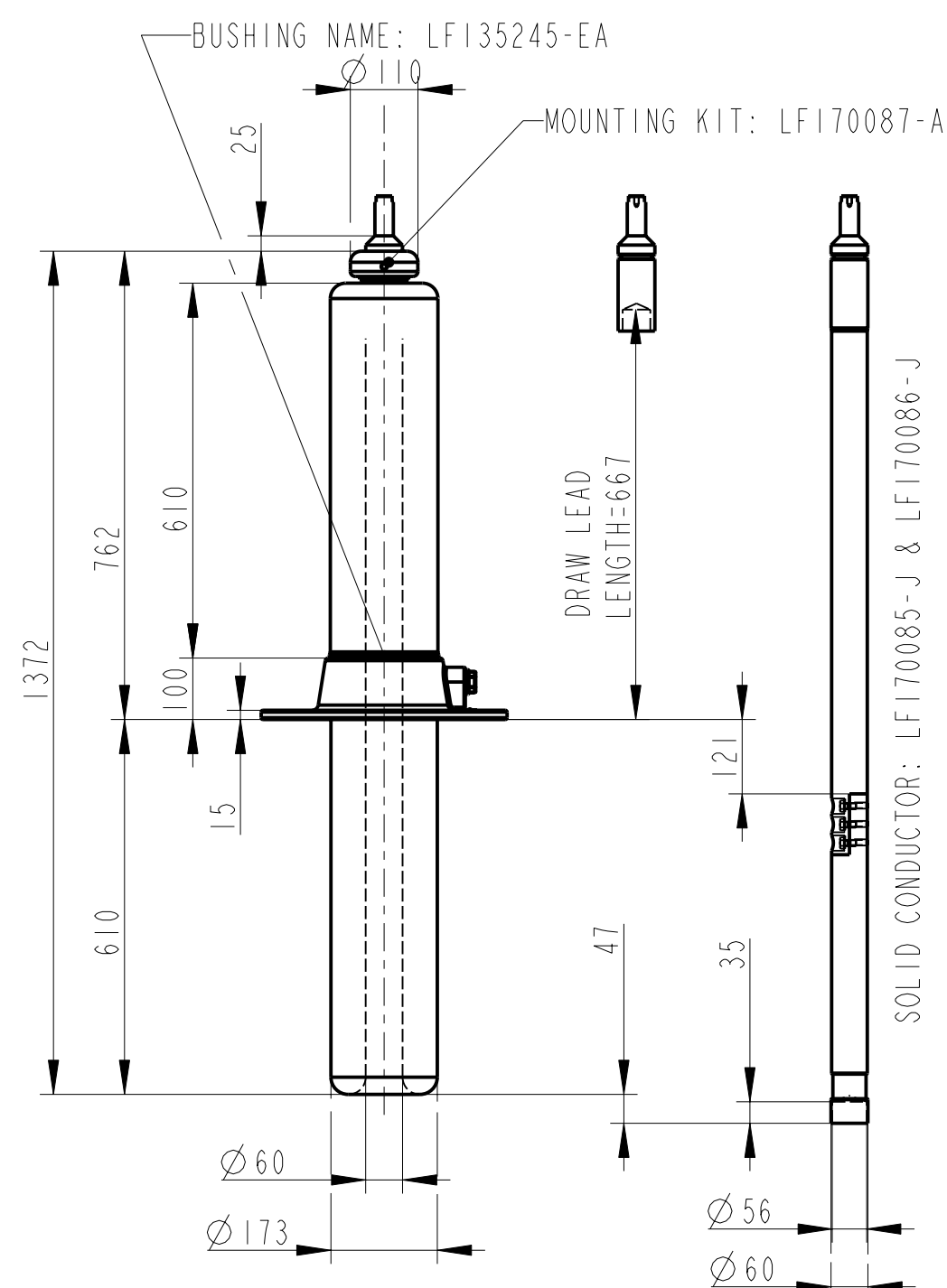
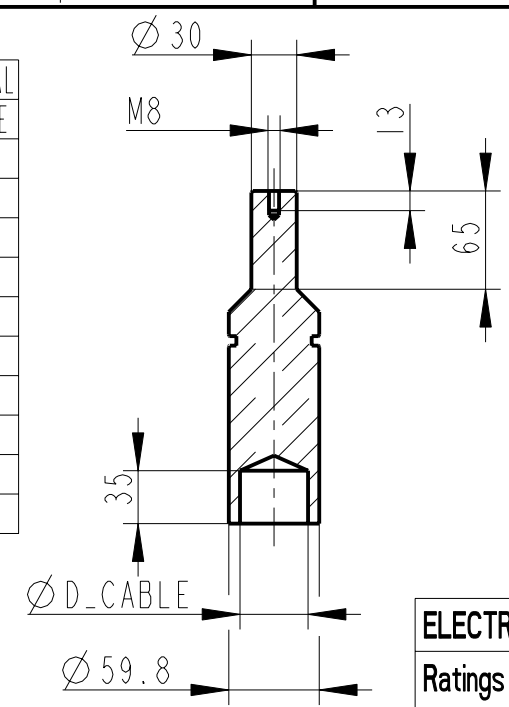


Rev	Ind	Revision	Appd	Date
1		Redrawn	FS	00 27



CATALOGUE No	TERMINAL
KATALOG Nr	D_CABLE
LF170084-A	5.0
LF170084-B	11.0
LF170084-C	13.0
LF170084-D	15.0
LF170084-E	18.0
LF170084-F	30.0
LF170084-G	42.0
LF170084-H	45.0
LF170084-I	50.0
LF170084-J	54.0



SOLID CONDUCTOR: LF170085-J & LF170086-J

DRAW LEAD LENGTH=667

ELECTRICAL DATA, according to IEC 137		
Ratings	Rated voltage	245 kV
	Max phase to earth voltage, temporary	245 kV
	Max current with Cu-conductor	1600 A
	Max current with stranded cable 1200mm ²	1250 A
	Dry lightning impulse	1050 kV
Ratings	Chopped lightning impulse	1210 kV
	Routine test Dry power frequency	505 kV
Capacitance	Nominal capacitance	188 pF

GENERAL DATA, according to IEC 137		
Mass	Mass bushing	41 kg
Cantilever load	Cantilever test load, heavy load	4000 N
	Max cantilever operating load, bushing	2000 N
Temp class	Temperature class	CLASS 2
Mounting and service instructions		2750 515-138

ELECTRICAL DATA, according to ANSI C57.19.00		
Ratings	Insulation class	196 kV
	Rated max. line to ground voltage	146 kV
	Max current with Cu-conductor	1600 A
	Max current with stranded cable 1295 mm ²	1250 A

ABB Components Ludvika, Sweden
 GSA245-00/1600/0.1 LF135245-EA

No. **UrUy** 245/245 kV lr 1600 A 50/60 Hz
LI / SI / AC 1050/-/505 kV

M 41 kg L 610 mm V 0-90
C1 pF Tan δ x
C2 pF Tan δ x

Signatures acc. to Revision 0 are valid
 Signaturer enligt Revision 0 gäller

Production engineering review J BERNER	Approved H JOHANSSON
Inspection engineering review K-E ANDERSSON	Revision
Design engineering review F PETRICI	

Based on	Reg. No.	Title	
Prepared F STÄHLE	Responsible department COM/BK 9905	OIL-OIL BUSHING	
Approved H JOHANSSON	Take over department	GSA245-00/1600/0.1	
Database BUSHINGS	Document No.	2751365-EA	Language 82
			Page 1(1)

We reserve all rights in this document and in the information contained therein. Reproduction, use or disclosure to third parties without express authority is strictly forbidden. ©ABB